

## Серия С2 с белым держателем "конус"



15°



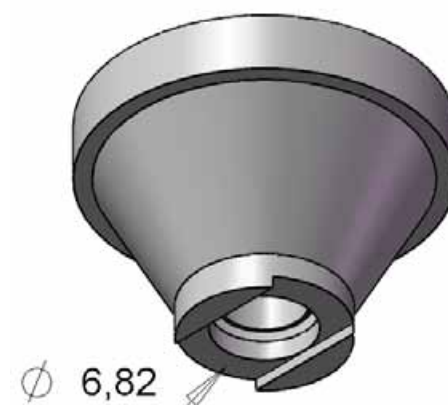
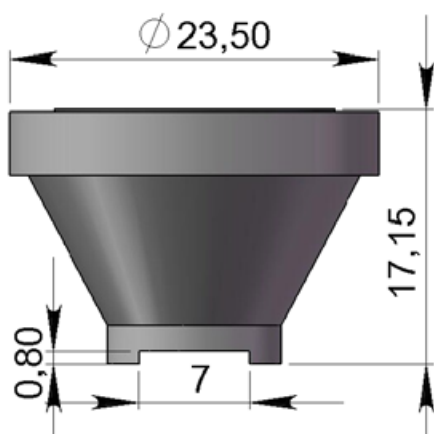
25°



50°

Наименование	Угол
Линза 15DC2W (15°, Cree, white)	15°
Линза 25DC2WF (25°, Cree, white)	25°

## Габариты



## General info

### Lens

- Street Lighting
- Office Lighting
- Home Lighting
- Stage Lighting
- Architectural Lighting
- Down Light Lighting
- Decorative Lighting
- Lens Material Optical Grade Best Available Optical Efficiency
- Lens Material with high UV & Temperature Resistance  $-40^{\circ}\text{C} \sim +100^{\circ}\text{C}$
- Lens Material Light Transmittance High Productivity with 2mm Thickness

### Lens with Housing

- Holdar Colour — Black ----- White
- Holder Material Operating Temperature  $-40^{\circ}\text{C} \sim +120^{\circ}\text{C}$
- Holder Material PCV2 & R O H S - Flama : High Heat Resistance
- Holder Material - UV Allows use of High Current and Temperature Conditions
- If you Decide to use Glue only, Please Take Special Care of Correct Positioning

## Lighting parameters

