

## ARPL-3W Warm White (180 Lm)



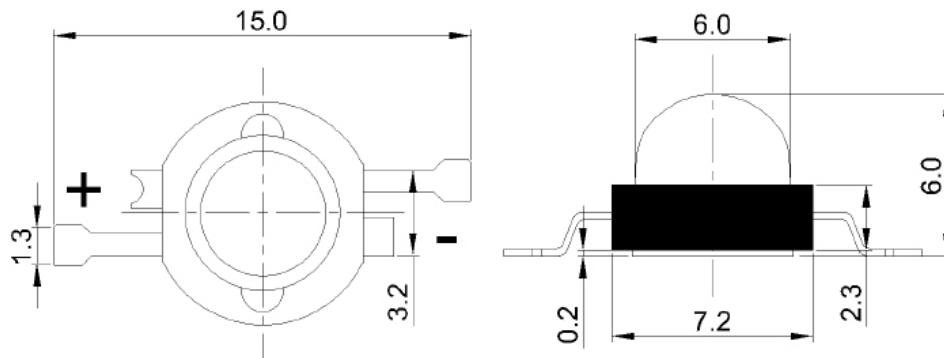
### Features

- Long operating life
- Highest flux
- Available in White:2500K-25000K
- Lambertian radiation pattern
- More energy efficient than incandescent and most halogen lamps
- Low voltage DC operated
- Cool beam, safe to the touch
- Instant light (less than 100ns )
- Fully dimmable
- No UV
- Superior ESD protection
- Eutectic die bonding
- RoHS compliant

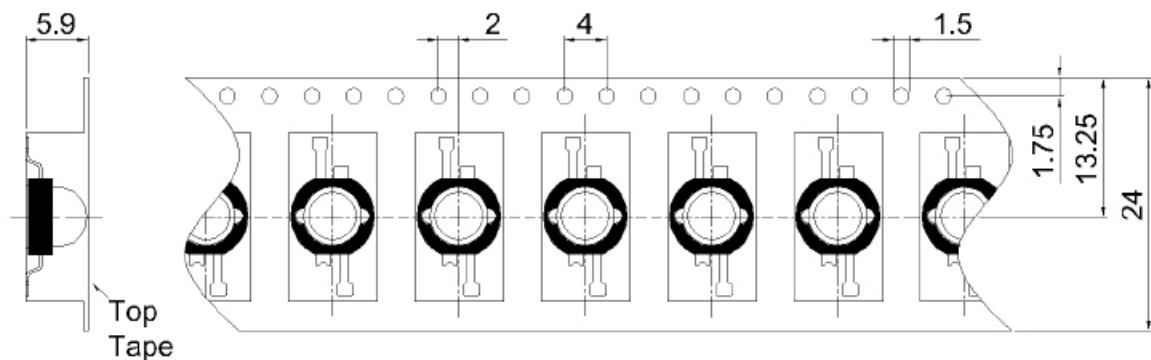
### Applications

- Reading lights (car, bus, aircraft)
- LCD Backlights/light Guides
- Fiber optic alternative/ Decorative / Entertainment
- Mini-accent/Up lighters/Down lighters/ Orientation
- Indoor/Outdoor commercial and Residential Architectural
- Cove/Under shelf/Task
- Bollards/Security/Garden
- Portable (flashlight, bicycle)
- Edge-lit signs (Exit, point of sale)
- Automotive Exit (Stop-Tail-Turn, CHMSL, Mirror Side Repeat)
- Traffic signaling / Beacons / RailCrossing and Way-side

### Package Dimensions



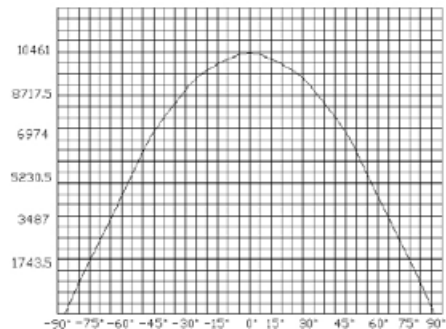
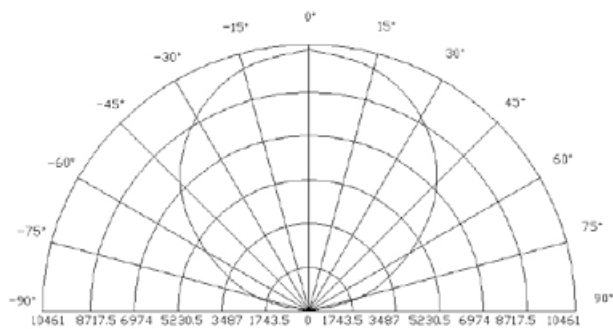
### Tape Specifications (Units:mm)



#### Notes:

1. All dimension units are millimeters.
2. All dimension tolerance is  $\pm 0.2$ mm unless otherwise noted.

## Radiation Pattern



## Typical Electrical / Optical Characteristics at TA=25°C

Item	Symbol	Condition	Min.	Typ.	Max.	Unit
Item	Symbol	Condition	Min.	Typ.	Max.	Unit
Forward Voltage	VF	IF=800mA	3.0	--	3.8	V
Reverse Current	IR	VR=5v	--	--	50	uA
50% Power Angle	2θ1/2	IF=800mA	110	--	140	deg
Luminous Intensity	φV	IF=800mA	129.5	180	--	lm
Recommend Forward Current	IF	--	--	800	--	mA
Chromaticity	Tc	IF=800mA	3000	--	4500	k
Thermal Resistance, Junction to Case	RJP	IF=800mA	--	10	--	°C/W
The sample delivers goods data						
Item	Symbol	Condition	Min.	Avg.	Max.	Unit
Luminous Intensity	φV					lm
50% Power Angle	2θ1/2	IF=800mA				deg
Forward Voltage	VF					v
Chromaticity	Tc					k
White Color Region						--
ChromaticityCoordinates			X=--			Y=--

### Notes:

1. Tolerance of measurement of forward voltage  $\pm 0.1V$ .
2. Tolerance of measurement of peak Wavelength  $\pm 2.0nm$ .
3. Tolerance of measurement of luminous intensity  $\pm 15\%$ .

## Absolute Maximum Rating

Item	Symbol	Absolute Maximum Rating	Unit
Forward Current	IF	800	mA
Peak Forward Current*	IFP	500	mA
Reverse Voltage	VR	5	V
Power Dissipation	PD	3000	mW
Electrostatic discharge	ESD	$\pm 2000$	V
Operation Temperature	TOPR	-40~+80	°C
Storage Temperature	TSTG	-40~+100	°C
Lead Soldering Temperature*	TSOL	Max. 260°C for 3sec Max.	

\*IFP Conditions Pulse Width  $\leq 10msec$  duty  $\leq 1/10$

\* All high power emitter LED products mounted on aluminum metal-core printed circuit board, can be lighted directly, but we do not recommend lighting the high power products for more than 5 seconds without a appropriate heat dissipation equipment. \* Re-flow, wave peak and soak-stannum soldering etc. is not suitable for this products. \* Suggest to solder it by professional high power LED soldering machine. \* Can use invariable-temperature searing-iron with soldering condition:  $\leq 260$  degree less than 3 seconds.