

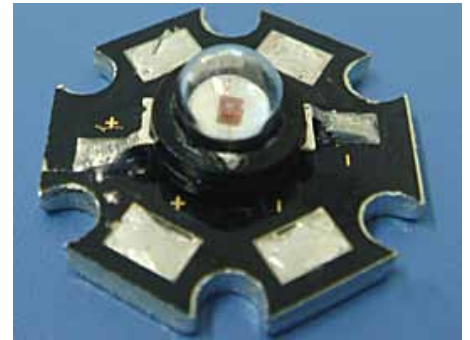
ARPL-3W Yellow (140°)

Features

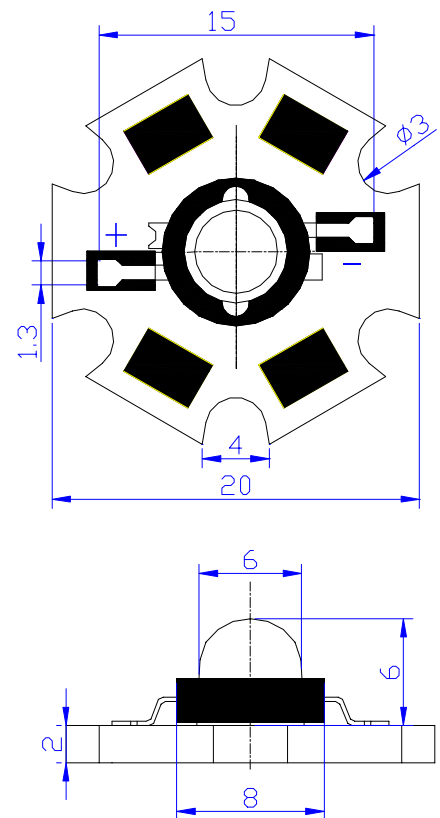
- Highest flux per LED family in the world
- Very long operating life (up to 100k hours)
- Available in Yellow
- Lambertian radiation pattern
- More energy efficient than incandescent and most halogen lamps
- Low voltage DC operated
- Cool beam, safe to the touch
- Fully dimmable
- No UV
- Superior ESD protection
- lower Rth
- RoHS compliant—lead-free
- Instant light (less than 100ns)

Applications

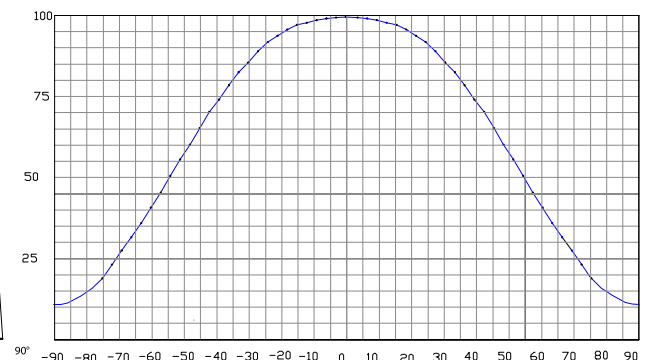
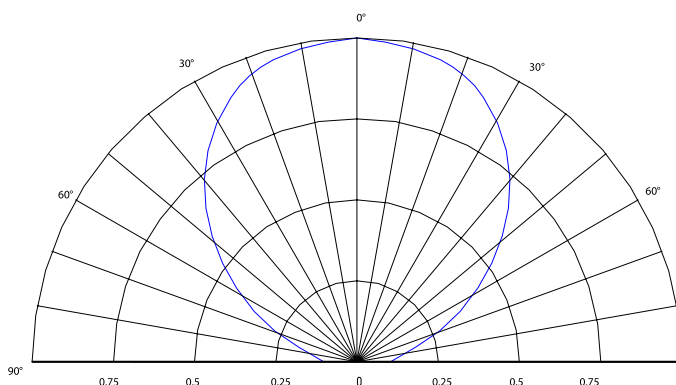
- Portable (flashlight, bicycle)
- Reading lights(car, bus, aircraft)
- Orientation
- Mini-accent
- Decorative
- Fiber optic alternative
- Appliance
- Sign and channel letter
- Architectural detail
- Cove lighting
- Automotive exterior (Stop-Tail-turn, CHMSL, Mirror side repeat)
- Edge-lit signs (Exit, point of sale)



Package Dimensions



Radiation Pattern



Typical Optical/ Electrical Characteristics @TJ=25°C

Item	Symbol	Condition	Min.	Typ.	Max.	Unit
Forward Voltage	VF	IF=800mA	2.4	2.6	3.0	V
Reverse Current	IR	VR=5v	--	--	50	uA
50% Power Angle	2θ1/2	IF=800mA	--	140	--	deg
Luminous Intensity	φV	IF=800mA	39.8	45	51.7	lm
Recommend Forward Current	IF	--	--	800	--	mA
Wave Length	λd	IF=800mA	580	590	600	nm
Thermal Resistance, Junction to Case	RJP	IF=800mA		20		°C/W

Notes:

- 1.Tolerance of measurement of forward voltage±0.1V.
- 2.Tolerance of measurement of peak Wavelength±2.0nm.
- 3.Tolerance of measurement of luminous intensity±15%.

Absolute Maximum Rating

Item	Symbol	Absolute Maximum Rating	Unit
Forward Current	IF	800	mA
Peak Forward Current*	IFP	1000	mA
Reverse Voltage	VR	5	V
Power Dissipation	PD	3000	mW
Electrostatic discharge	ESD	±4500	V
Operation Temperature	TOPR	40~+80	°C
Storage Temperature	TSTG	40~+100	°C
Lead Soldering Temperature*	TSOL	Max. 260°C for 3sec Max.	

Notes:

*IFP Conditions ≤ Pulse Width ≤10msec duty≤1/10

* All high power emitter LED products mounted on aluminum metalcore printed circuit board, can be lighted directly, but we do not recommend lighting the high power products for more than 5 seconds without a appropriate heat dissipation equipment.

*Ref-low, wave peak and soakstannum soldering etc.is not suitable for this products.

*Suggest to solder it by professional high power LED soldering machine.

*Can use invariabletemperature searingiron with soldering condition : ≤260 degree less than 3 seconds.

Typical Optical/Electrical Characteristics Curves (T_J=25°C Unless Otherwise Noted)

